

# CATV Drop-in Diplexer

C5000; C5009; C5011; C5018

Coaxial

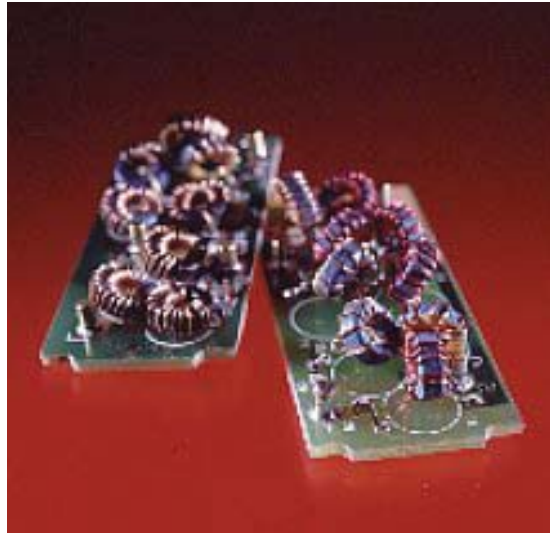
Twisted Pair

Excellent Electrical Performance

Superior Performance

Low Insertion Loss and VSWR

Easy Connect and Disconnect



Cable TV

**DESCRIPTION** Microphase's CATV Drop-in Diplexers are major components in the CATV/telephone industry for an interactive telephone, data and video network for the general consumer population. The Diplexer provides an interface between the interactive network and the coaxial cable network wired to the homes of millions of consumers. This interface allows them the ability to access telephone services, including the transmission and reception of voice and data as well as the ability to receive and interact with cable-television services such as movies-on-demand and interactive video games and educational services.

**ADVANTAGES** Microphase's CATV Drop-in Diplexers provide excellent electrical performance, environmental stability and mechanical reliability. The CATV Diplexer give you low insertion loss and VSWR and can be custom designed to suite your application. They are designed to be light-weight and rugged, with easy connect/disconnect features. All our products are 100% tested fully productized and readily available.

## SPECIFICATIONS

Input/Output Impedance	75 Ohms
Passband Insertion Loss	0.50 dB (max.)
Passband Return Loss	18 dB (min.)
Rejection Level	40 dB (min.)
Size (approx.)	2.0" X 0.8" X 0.5"
Connector Receptacles	0.04" Dia. Pin Receptacles

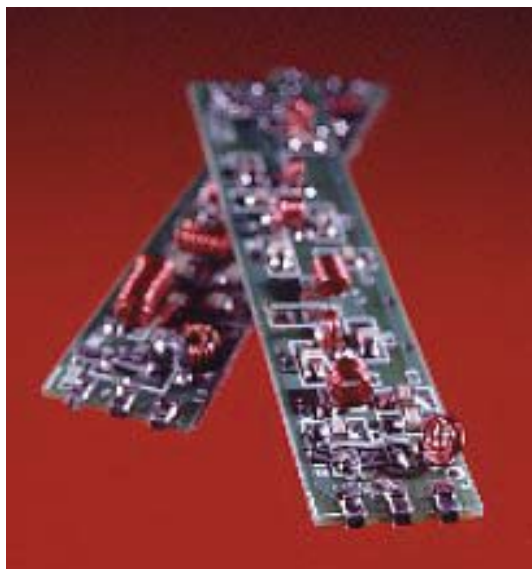
Part Number	Lowpass	Highpass
C5000	DC to 42 MHz	55 MHz to 750 MHz
C5009	DC to 30 MHz	48.5 MHz to 750 MHz
C5011	DC to 65 MHz	80 MHz to 750 MHz
C5018	DC to 50 MHz	70 MHz to 750 MHz

**NOTE:** Microphase offers custom diplexers for different crossover frequencies, rejection levels, pass bands, and return loss levels and a variety of connector types. This component can be designed to your specifications.

*These units can be designed to your specification. Please contact Microphase for your special design requirements.*

# CATV Bandpass Filters

## C5013,C5014,C5015 Bandpass Filter



- Coaxial
- Excellent Electrical Performance
- Superior Performance
- Integral Amplitude Equalizers
- Sharp Selectivity
- Surface Mountable
- EMI Shielded
- Excellent Temperature Stability

Cable TV

**DESCRIPTION** These bandpass filters can be used in up/down converters on CATV Interactive Networks.

**ADVANTAGES** The advantages of the C5013, C5014 and C5015 have extremely flat passband responses due to integral amplitude equalizers. They are surface mountable and EMI shielded. These bandpass filters give you excellent electrical performance, environmental stability and mechanical reliability. Compact and very rugged, all of our products are 100% tested, fully productized and readily available.

### SPECIFICATIONS

Input/Output Impedance	50 Ohms
Passband Flatness	0.15 dB/6 MHz (max.)
Passband Return Loss	17 dB (min.)
Rejection Level	50 dB (min.)
Size	2.0" X 0.5" X 0.25"
Connectors	Surface Mount

Part Number	Passband	Stopband
C5013	81 MHz to 118 MHz	DC to 45 MHz and 154 MHz to 264 MHz
C5014	154 MHz to 191 MHz	DC to 118 MHz and 227 MHz to 264 MHz
C5015	227 MHz to 264 MHz	DC to 191 MHz and 300 MHz



587 Connecticut Avenue • Norwalk, CT 06854  
T: (203) 866-8000 F: (203) 866-6727 • [quote@microphase.com](mailto:quote@microphase.com)

*These units can be designed to your specification. Please contact Microphase for your special design requirements.*

# CATV Network Interface

## C5016 Network Interface Integrated Assembly



Coaxial  
Twisted Pair  
Excellent Electrical Performance  
Superior Performance  
75 Ohm Impedance  
Frequency Range 5 MHz to 750 MHz  
Low Insertion Loss  
Sharp Selectivity

Cable TV

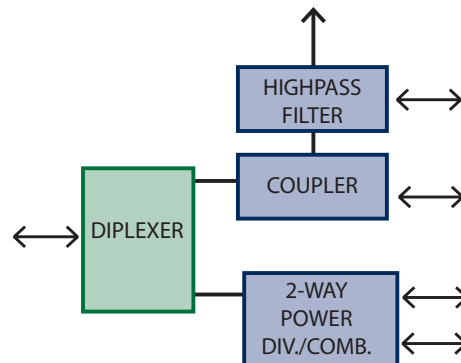
**DESCRIPTION** The C5016 CATV Network Interface Integrated Assembly which connects CATV and telephone subscribers to a RF network. This assembly performs filtering, power dividing/combining and signal routing functions.

**ADVANTAGES** Microphase designed and engineered C5016 CATV Network Interface provides sharp selectivity, low insertion loss and low return loss. You get excellent electrical performance, environmental stability and mechanical reliability. Compact and very rugged, all of our products are 100% tested, fully productized and readily available. This component can be designed to your specifications.

### SPECIFICATIONS

Impedance	75 Ohms
Frequency Range	5 MHz to 750 MHz
Size	2.5" X 0.75" X 0.5"
Connectors	SIL Lead Frame

### TYPICAL CONFIGURATION

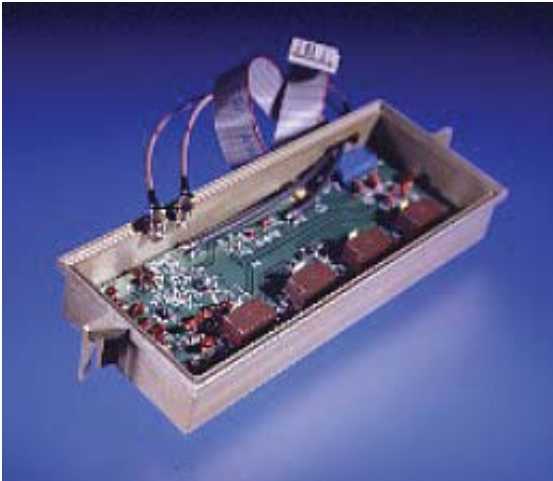


587 Connecticut Avenue • Norwalk, CT 06854  
T: (203) 866-8000 F: (203) 866-6727 • quote@microphase.com

*These units can be designed to your specification. Please contact Microphase for your special design requirements.*

# CATV Network Interface

## C5017 Network Interface Integrated Assembly

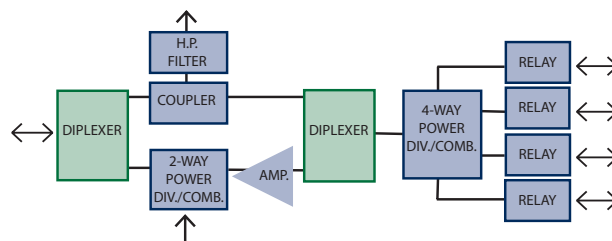


**DESCRIPTION** The C5017 CATV Network Interface Integrated Assembly connects 4 CATV and telephone subscribers to a CATV network. This assembly performs filtering, power dividing/combining and signal routing functions.

**ADVANTAGES** Microphase designed and engineered C5017 CATV Network Interface provides sharp selectivity, low insertion loss and low return loss. You get excellent electrical performance, environmental stability and mechanical reliability. Compact and very rugged, all of our products are 100% tested, fully productized and readily available-yet cost effective. This component can be designed to your specifications.

Coaxial  
Twisted Pair  
Excellent Electrical Performance  
Superior Performance  
75 Ohm Impedance  
Low Insertion Loss

### TYPICAL CONFIGURATION



### SPECIFICATIONS

Impedance	75 Ohm
Frequency Range	5 MHz to 750 MHz
Return Loss	17 dB
Size (excluding connectors)	8" X 0.3" X 1.1"
Connectors	"F", Mini SMB

Cable TV



587 Connecticut Avenue • Norwalk, CT 06854  
T: (203) 866-8000 F: (203) 866-6727 • quote@microphase.com

*These units can be designed to your specification. Please contact Microphase for your special design requirements.*